

COBRA NC 2500 B

Dry screw vacuum pump



VACUUM SOLUTIONS



High performance

Advanced screw design, patented self-balancing screws, perfectly suited for steel degassing, space simulation or vacuum drying

Efficient

Low cost of ownership, minimal maintenance, long service intervals, high uptime, efficient water cooling

Flexible

Various sealing configurations and ATEX-certified versions available

Accessories

- Seal gas system
- Dilution gas system
- Adapter for ASME flanges
- Exhaust silencer
- Various sealing configurations
- ATEX-certified versions available

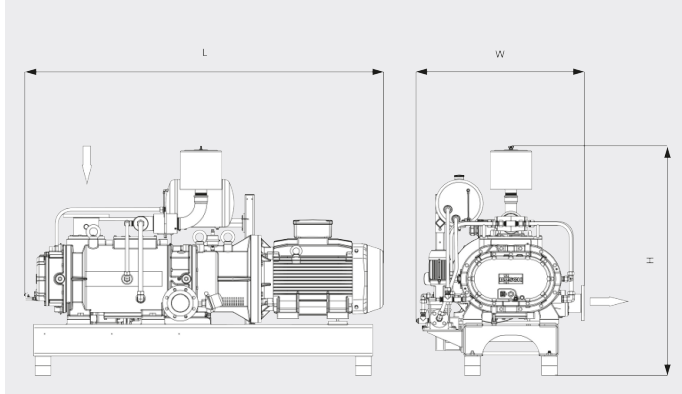
COBRA NC 2500 B

Dry screw vacuum pump



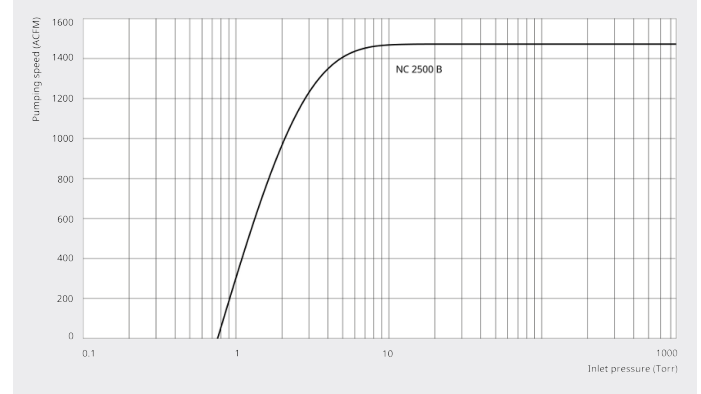
VACUUM SOLUTIONS

Dimensional drawing



Pumping speed

Air at 70°F. Tolerance: $\pm 10\%$



COBRA NC 2500 B	
Pumping speed	1471 ACFM
Ultimate pressure	≤ 0.75 TORR
Nominal motor rating	100 HP
Nominal motor speed	3600 RPM
Noise level (ISO 2151)	84 dB(A)
Weight approx.	4400 Lbs.
Dimensions (L x W x H)	94.4 x 64.5 x 57.4 inches
Gas inlet / outlet	6" ANSI/NPT / 4" ANSI/NPT

DO YOU WANT TO KNOW MORE?

Get in touch with us directly!
info@buschusa.com or +1 757 463 7800



CONTACT FORM



CALL NOW